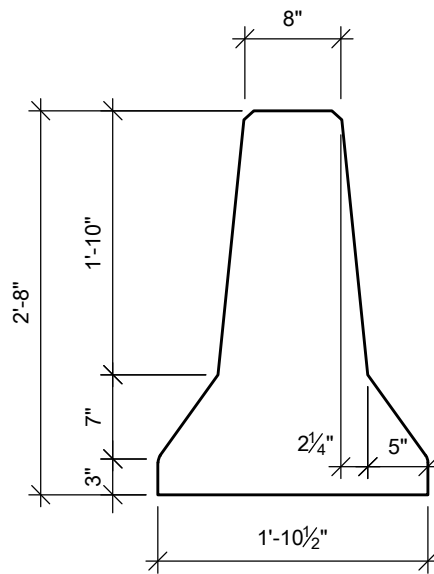


# PRESTRESSED CONCRETE CONSTRUCTION



P.O. Box 311 - Newton, Kansas 67114  
Phone: 316-283-2277 Fax: 316-283-2321  
[www.preconc.com](http://www.preconc.com)

## HIGHWAY BARRIER



### SECTION PROPERTIES

WT = 433 plf  
A = 416 in<sup>2</sup>  
I = 35,807 in<sup>4</sup>  
S<sub>b</sub> = 2,750 in<sup>3</sup>  
St = 1,888 in<sup>3</sup>